



ARCTIC STEEL



DEMAND THE BEST

STRENGTH RELIABILITY PERFORMANCE

Cast stainless steel water strainers

Manufactured from the highest quality electropolished 2205 stainless steel

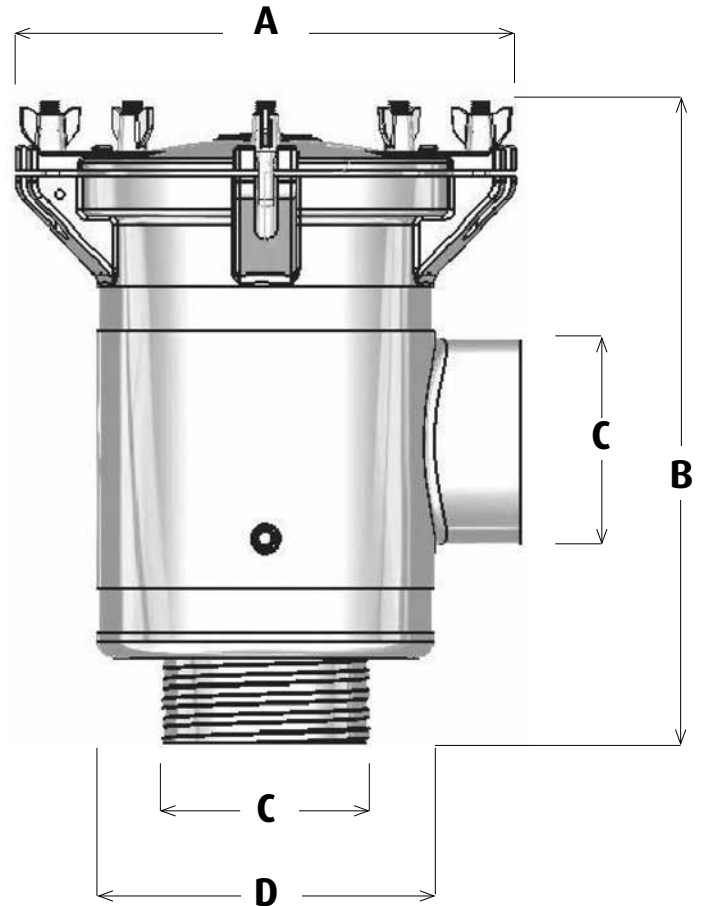
Arctic Steel water strainers are designed to be superior in every aspect. There is no welding to corrode in these robust one piece cast strainers. The inherent swirl action created by the offset outlet is designed to quickly scavenge air whilst maximising the used area of the rugged full height basket. The efficient lid design ensures safe, quick and easy access for maintenance. Suitable for marine engines, generators and aircon units.

Bottom In Side Out Range

- Electro-polished AISI 2205 cast stainless steel body.
- Solid electro-polished stainless steel lid.
- Secured by 5 wing nuts for safe, quick and easy access. No tools required.
- Swing down eye bolts eliminates need to remove nuts.
- BSP or NPT thread available.
- Full height, high impact resistant ABS basket.
- Cast anode connection point to combat galvanic corrosion.

Available Options:

- Interchangeable clear, poly carbonate lid.
- 316 Stainless Steel basket.
- 316 Stainless Steel side mounting brackets and extension arms.



Size Inlet Thread / Outlet Thread	Weight lb Solid lid	Flow Rate 1.45 psi US gpm	Flow Rate 14.5 psi US gpm	Lid Width A Inches	Height B Inches	Thread Size C Inches	Body Width D Inches
1" M/F	6.8	37	114	5.6	8.3	1"	3.7
1.5" M/F	7.1	86	272	5.6	8.3	1.5"	3.7
2" M/F	13.4	128	427	7.9	10.7	2"	5.5
2.5" F/F	13.7	169	569	7.9	10.7	2.5"	5.5
3" F/F	27.6	257	792	9.25	13.1	3"	6.5
4" F/F	40.8	487	1545	10.7	18.7	4"	8.7
6" F/F	66.8	841	2718	14.2	20.1	4"	12.2

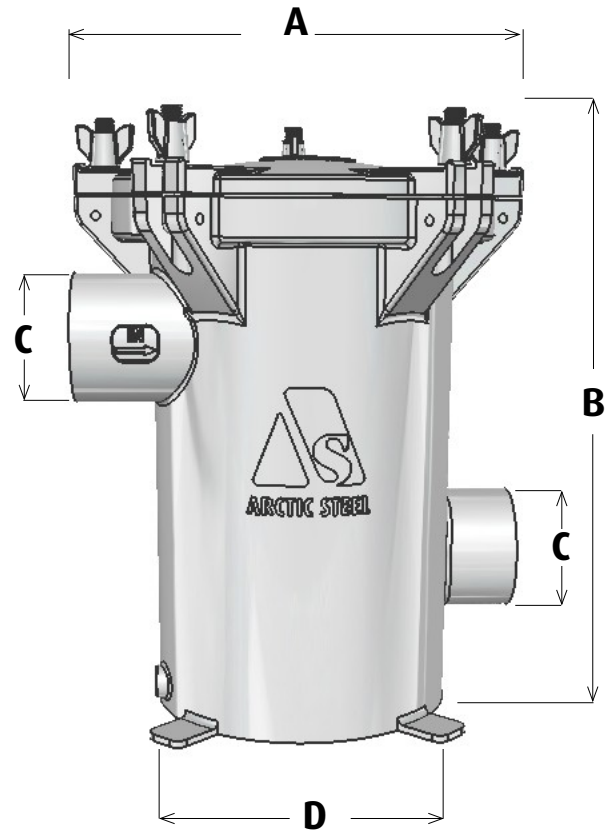
Flow rates calculated using clean ABS basket

Why Arctic Steel strainers are superior to others

All Arctic Steel water strainers are cast with 2205 stainless steel. This provides an exceptional level of corrosion resistance. Additionally our strainers undergo an electro polishing process which removes contaminants from the surface exposing the pure stainless steel, providing a rich chromium film, as is evident by the shine to our stainless steel. This gives our already robust strainers a defence against corrosion superior to others on the market.

Side In Side Out Range

- Free standing, base mounted.
- Offset inlet and outlet for improved performance.
- Electro-polished AISI 2205 cast stainless steel body.
- Solid electro-polished stainless steel lid.
- Secured by 5 wing nuts for safe, quick and easy access. No tools required.
- Swing down eye bolts eliminates need to remove nuts.
- BSP or NPT thread available.
- 1.25" and 1.5" come standard with full height, high impact resistant ABS basket.
- 2", 2.5", 3" and 4" come standard with a full height 316 stainless steel basket.
- Cast anode connection point to combat galvanic corrosion.
- Drain plug.
- Lower outlet position allows for applications that require a header tank or mounting above the waterline.



Available Options:

- Interchangeable clear poly carbonate lid.
- 316 Stainless Steel mounting brackets and extension arms.

Size Inlet Thread / Outlet Thread	Weight lb Solid lid	Flow Rate 1.45 psi US gpm	Flow Rate 14.5 psi US gpm	Lid Width A Inches	Height B Inches	Thread Size C Inches	Body Width D Inches
1.25" F/F	15	40	126	7.9	10.6	1.25"	5.2
1.5" F/F	15.4	56	180	7.9	10.6	1.5"	5.2
2" F/F	16	89	282	7.9	10.6	2"	5.2
2.5" F/F	30	148	483	9.25	14.4	2.5"	6.5
3" F/F	32.6	228	743	9.25	14.4	3"	6.5
4" F/F	45.2	451	1450	10.7	18.8	4"	8.7

Flow rates calculated using clean ABS basket

Arctic Steel Accessories

Arctic Steel also produces a range of high quality spare parts and stainless steel accessories to ensure your engine room systems have the best available fittings.



Distributed by



ARCTIC STEEL

www.arcticsteel.com.au